



ROFU 2490 Series Rim Mount Strike Installation Instructions

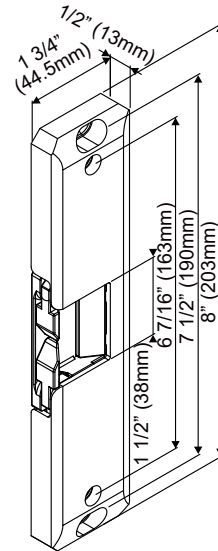
ROFU Security International Corp.
 10029 S. Tacoma Way, E-11
 Lakewood, WA 98499 USA
 1-800-255-7638 (1-800-ALL-ROFU)
 www.ROFU.com
 OrderEntry@rofu.com

The ROFU 2490 series electric strike is surface mounted and designed with the strength and durability for use with rim exit devices with a 1/2" throw Pullman latchbolt. No cutting on the frame is required for installation. It features an optional latch monitor and has a 1/2" (13mm) thick stainless steel housing. It is field selectable for fail-safe and fail-secure operation, and for 12 or 24VDC.

Specifications

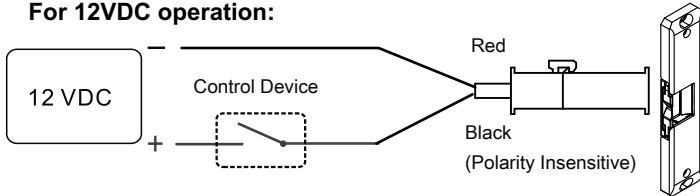
Operating Voltage	12/24VDC
Current Draw	540mA/12VDC, 270mA/24VDC
Operating Temperature	14°F to 120°F (-10°C~+49°C)
Humidity	0~85%
Static Strength	1500 lbs
Dynamic Strength	70 ft-lbs
Endurance Rating	250,000 cycles 1,000,000 cycles (Factory tested)
Lock Mode	Field selectable fail-safe and fail-secure
Housing Finish	Brushed stainless steel (US32D)

Dimensions

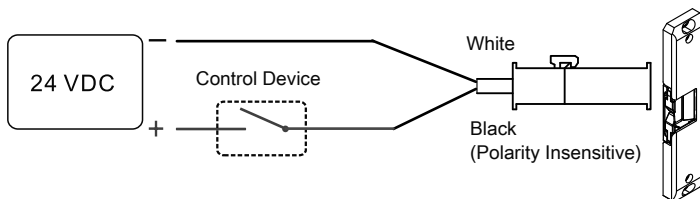


Wiring Diagrams

For 12VDC operation:

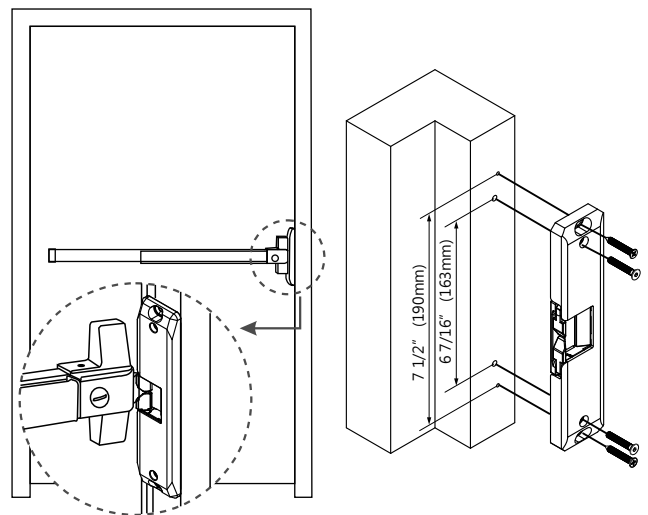


For 24VDC operation:



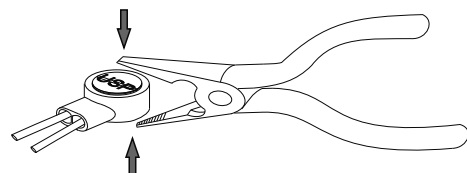
Surface Mount Installation

Frame application: Metal or Wood



Butt Splice Connector

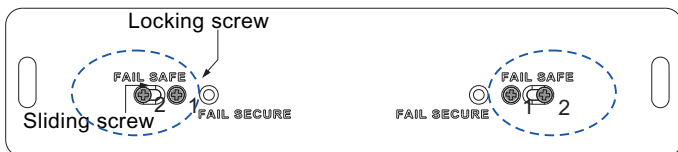
Place the wire inside the connector and use a crimp or pliers to press down on the head of the connector evenly.



Changing Fail-Safe / Fail-Secure

Remove locking screw #1, loosen, slide and tighten sliding screw #2. Reinsert and tighten locking screw #1 to the desired fail-safe or fail-secure setting.

Fail-Safe



Fail-Secure

